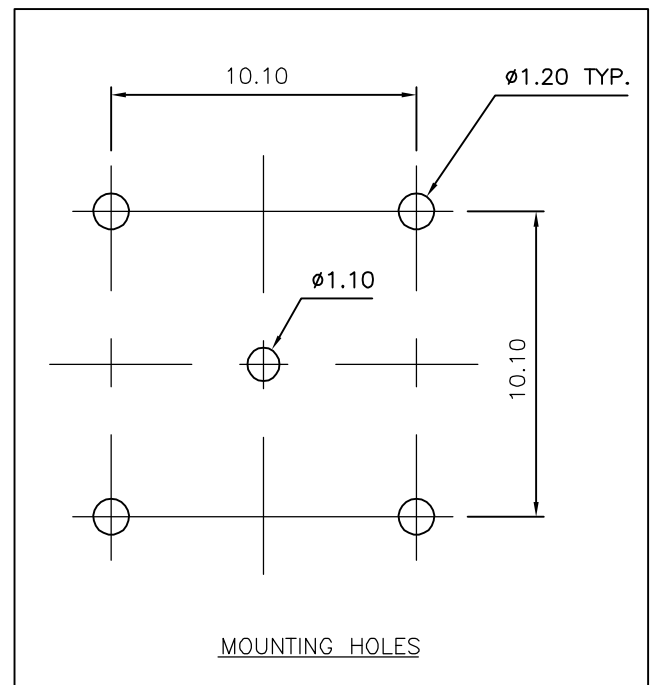
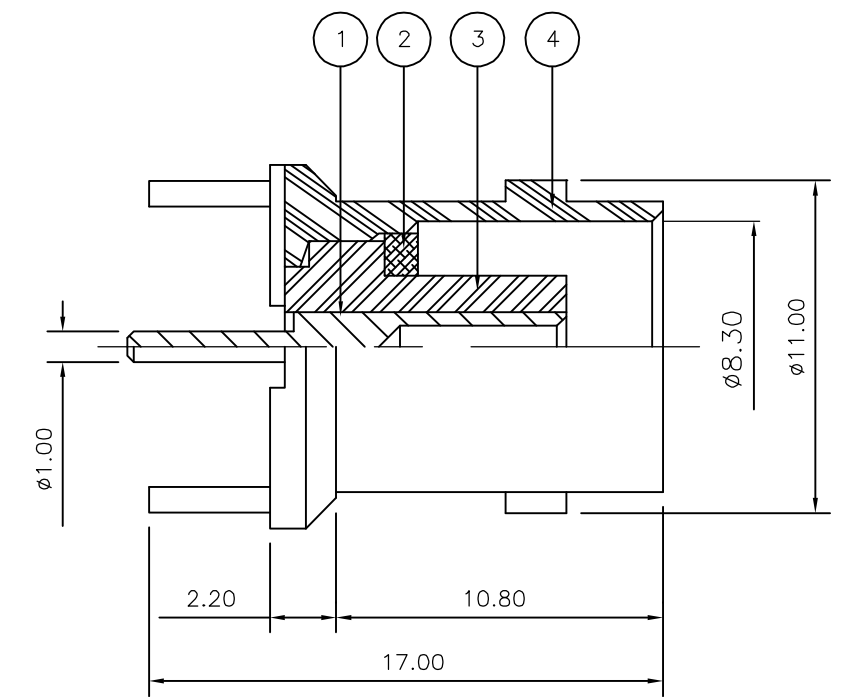
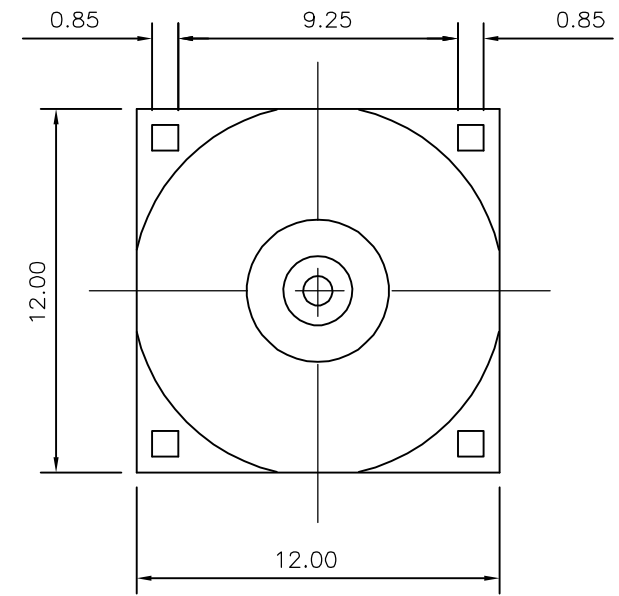


THIS DRAWING IS UNPUBLISHED. RELEASED FOR PUBLICATION NOV ,2005.
 © COPYRIGHT 2005 BY TYCO ELECTRONICS CORPORATION. ALL RIGHTS RESERVED.

| LOC | DIST | REVISIONS | | | | | |
|-----|------|-----------|-----|---------------|---------|-----|------|
| E | B | P | LTR | DESCRIPTION | DATE | DWN | APVD |
| | | C | | ECR-05-016219 | 26NOV05 | JMS | FWK |

- NOTES:**
- 1 PACK IN ACCORDANCE WITH AMP SPEC 107-3275
 - 2 100 TRAY PACK IN ACCORDANCE WITH AMP SPEC 107-3275
 - 3 Ag PLATING
- 4 **ELECTRICAL CHARACTERISTICS**
- | | |
|-------------------------------|----------------------------|
| FREQUENCY RANGE: | DC - 4 GHz |
| NOMINAL IMPEDANCE: | 50 Ohm |
| INSULATION RESISTANCE: | 5000 MOhm |
| WORKING VOLTAGE: | 500 Volts RMS at Sea Level |
| DIELECTRIC WITHSTAND VOLTAGE: | 1500 Volts RMS Max |
| CONTACT RESISTANCE: | |
| CENTRE CONTACT: | 1.50 mOhm Max |
| OUTER CONTACT: | 0.20 mOhm Max |
| VSWR @ xGHz: | N/A |
| INSERTION LOSS xdb: | N/A |
- 5 **MECHANICAL CHARACTERISTICS**
- | | |
|---------------------------|----------------|
| COUPLING RETENTION FORCE: | N/A |
| CABLE RETENTION FORCE: | N/A |
| DURABILITY: | 500 Cycles Min |
- 6 **ENVIRONMENTAL CHARACTERISTICS**
- | | |
|------------------------|------------------|
| OPERATING TEMPERATURE: | -65 to +165 DegC |
|------------------------|------------------|



| QTY | QTY PER ASSY | MATERIAL | DESCRIPTION | ITEM |
|------|--------------|----------|-------------|------|
| 1 | 1 | BRASS | BODY | 4 |
| 1 | 1 | PTFE | INSULATION | 3 |
| 1 | 1 | BRASS | SLEEVE | 2 |
| 1 | 1 | BRASS | CONTACT | 1 |
| 6--0 | 1--0 | MATERIAL | DESCRIPTION | ITEM |

| | | | | | | | | | | | | | | | | |
|--|-----|-----------------------------------|---|-------------------------|-----|-------|-----|-------|-----|-------|-----|--------|-----|--------------------------|------------|--|
| THIS DRAWING IS A CONTROLLED DOCUMENT. | | DWN J.SANDWELL 26NOV05 | Tyco Electronics Corporation Bideford EX39 4HE | | | | | | | | | | | | | |
| DIMENSIONS: mm | | CHK S.PARLOW 26NOV05 | | | | | | | | | | | | | | |
| TOLERANCES UNLESS OTHERWISE SPECIFIED: | | APVD F.WHEELER-KING 26NOV05 | NAME BNC STRAIGHT PCB SOCKET 50 OHM | | | | | | | | | | | | | |
| <table border="0"> <tr><td>0 PLC</td><td>± -</td></tr> <tr><td>1 PLC</td><td>± -</td></tr> <tr><td>2 PLC</td><td>± -</td></tr> <tr><td>3 PLC</td><td>± -</td></tr> <tr><td>4 PLC</td><td>± -</td></tr> <tr><td>ANGLES</td><td>± -</td></tr> </table> | | 0 PLC | ± - | 1 PLC | ± - | 2 PLC | ± - | 3 PLC | ± - | 4 PLC | ± - | ANGLES | ± - | PRODUCT SPEC 108-3435 | SIZE A3 | |
| 0 PLC | ± - | | | | | | | | | | | | | | | |
| 1 PLC | ± - | | | | | | | | | | | | | | | |
| 2 PLC | ± - | | | | | | | | | | | | | | | |
| 3 PLC | ± - | | | | | | | | | | | | | | | |
| 4 PLC | ± - | | | | | | | | | | | | | | | |
| ANGLES | ± - | | | | | | | | | | | | | | | |
| MATERIAL SEE TABLE | | FINISH - | APPLICATION SPEC - | CAGE CODE 00779 | | | | | | | | | | | | |
| | | WEIGHT - | RESTRICTED TO - | DRAWING NO C-1337445 | | | | | | | | | | | | |
| CUSTOMER DRAWING | | | SCALE NTS | SHEET 1 OF 1 | | | | | | | | | | | | |
| | | | REV C | | | | | | | | | | | | | |